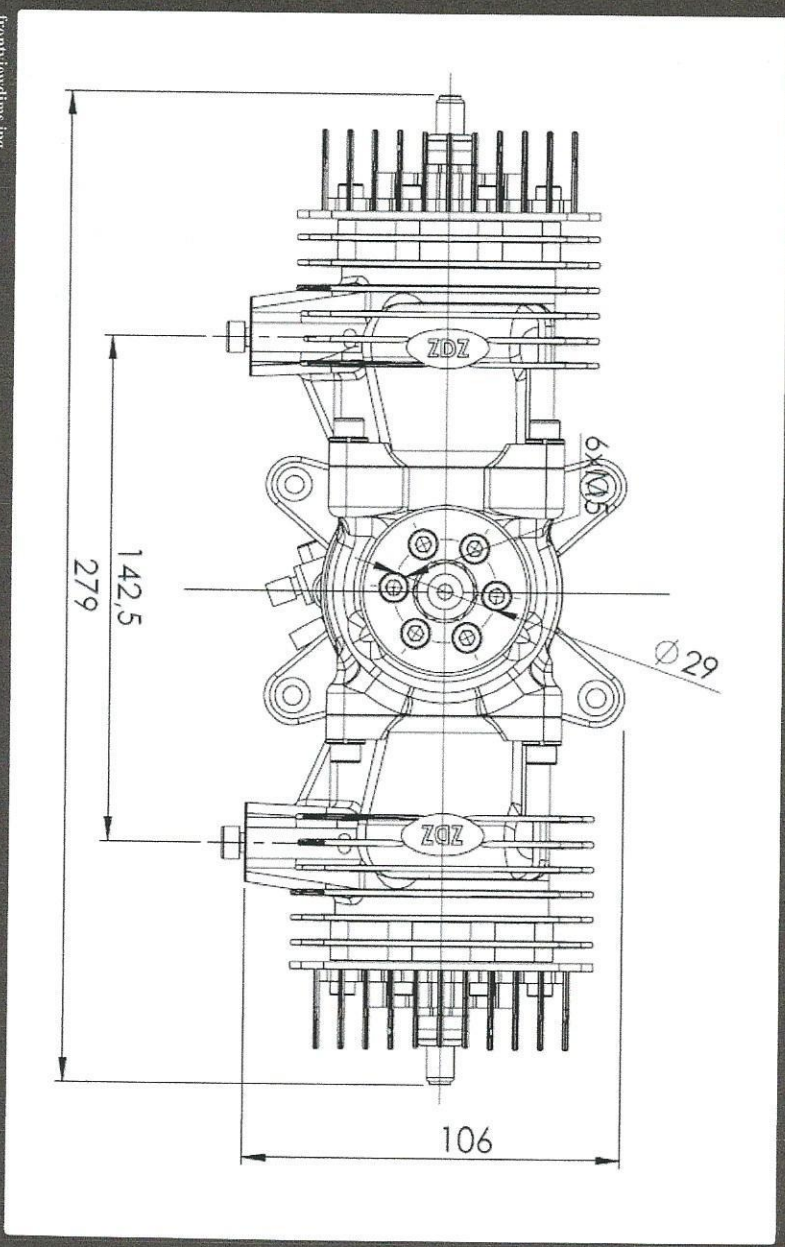


- Home
- Sales
- ZDZ/00RV2
 - ZDZ/1100RV24-4-Stroke
 - ZDZ/1100RV24-2-Stroke
 - ZDZ/1100RV24-5-Stroke
 - ZDZ/1100RV24-6-Stroke
 - ZDZ/2100RV2
 - ZDZ/2100RV24
 - ZDZ/2100RV24-2-Stroke
 - ZDZ/2100RV24-4-Stroke
 - ZDZ/2100RV24-5-Stroke
 - ZDZ/2100RV24-6-Stroke
 - ZDZ/2100RV24-7-Stroke
 - ZDZ/2100RV24-8-Stroke
 - ZDZ/2100RV24-9-Stroke
 - ZDZ/2100RV24-10-Stroke
 - ZDZ/2100RV24-11-Stroke
 - ZDZ/2100RV24-12-Stroke
 - ZDZ/2100RV24-13-Stroke
 - ZDZ/2100RV24-14-Stroke
 - ZDZ/2100RV24-15-Stroke
 - ZDZ/2100RV24-16-Stroke
 - ZDZ/2100RV24-17-Stroke
 - ZDZ/2100RV24-18-Stroke
 - ZDZ/2100RV24-19-Stroke
 - ZDZ/2100RV24-20-Stroke
 - ZDZ/2100RV24-21-Stroke
 - ZDZ/2100RV24-22-Stroke
 - ZDZ/2100RV24-23-Stroke
 - ZDZ/2100RV24-24-Stroke
 - ZDZ/2100RV24-25-Stroke
 - ZDZ/2100RV24-26-Stroke
 - ZDZ/2100RV24-27-Stroke
 - ZDZ/2100RV24-28-Stroke
 - ZDZ/2100RV24-29-Stroke
 - ZDZ/2100RV24-30-Stroke
 - ZDZ/2100RV24-31-Stroke
 - ZDZ/2100RV24-32-Stroke
 - ZDZ/2100RV24-33-Stroke
 - ZDZ/2100RV24-34-Stroke
 - ZDZ/2100RV24-35-Stroke
 - ZDZ/2100RV24-36-Stroke
 - ZDZ/2100RV24-37-Stroke
 - ZDZ/2100RV24-38-Stroke
 - ZDZ/2100RV24-39-Stroke
 - ZDZ/2100RV24-40-Stroke
 - ZDZ/2100RV24-41-Stroke
 - ZDZ/2100RV24-42-Stroke
 - ZDZ/2100RV24-43-Stroke
 - ZDZ/2100RV24-44-Stroke
 - ZDZ/2100RV24-45-Stroke
 - ZDZ/2100RV24-46-Stroke
 - ZDZ/2100RV24-47-Stroke
 - ZDZ/2100RV24-48-Stroke
 - ZDZ/2100RV24-49-Stroke
 - ZDZ/2100RV24-50-Stroke
 - ZDZ/2100RV24-51-Stroke
 - ZDZ/2100RV24-52-Stroke
 - ZDZ/2100RV24-53-Stroke
 - ZDZ/2100RV24-54-Stroke
 - ZDZ/2100RV24-55-Stroke
 - ZDZ/2100RV24-56-Stroke
 - ZDZ/2100RV24-57-Stroke
 - ZDZ/2100RV24-58-Stroke
 - ZDZ/2100RV24-59-Stroke
 - ZDZ/2100RV24-60-Stroke
 - ZDZ/2100RV24-61-Stroke
 - ZDZ/2100RV24-62-Stroke
 - ZDZ/2100RV24-63-Stroke
 - ZDZ/2100RV24-64-Stroke
 - ZDZ/2100RV24-65-Stroke
 - ZDZ/2100RV24-66-Stroke
 - ZDZ/2100RV24-67-Stroke
 - ZDZ/2100RV24-68-Stroke
 - ZDZ/2100RV24-69-Stroke
 - ZDZ/2100RV24-70-Stroke
 - ZDZ/2100RV24-71-Stroke
 - ZDZ/2100RV24-72-Stroke
 - ZDZ/2100RV24-73-Stroke
 - ZDZ/2100RV24-74-Stroke
 - ZDZ/2100RV24-75-Stroke
 - ZDZ/2100RV24-76-Stroke
 - ZDZ/2100RV24-77-Stroke
 - ZDZ/2100RV24-78-Stroke
 - ZDZ/2100RV24-79-Stroke
 - ZDZ/2100RV24-80-Stroke
 - ZDZ/2100RV24-81-Stroke
 - ZDZ/2100RV24-82-Stroke
 - ZDZ/2100RV24-83-Stroke
 - ZDZ/2100RV24-84-Stroke
 - ZDZ/2100RV24-85-Stroke
 - ZDZ/2100RV24-86-Stroke
 - ZDZ/2100RV24-87-Stroke
 - ZDZ/2100RV24-88-Stroke
 - ZDZ/2100RV24-89-Stroke
 - ZDZ/2100RV24-90-Stroke
 - ZDZ/2100RV24-91-Stroke
 - ZDZ/2100RV24-92-Stroke
 - ZDZ/2100RV24-93-Stroke
 - ZDZ/2100RV24-94-Stroke
 - ZDZ/2100RV24-95-Stroke
 - ZDZ/2100RV24-96-Stroke
 - ZDZ/2100RV24-97-Stroke
 - ZDZ/2100RV24-98-Stroke
 - ZDZ/2100RV24-99-Stroke
 - ZDZ/2100RV24-100-Stroke
- ZDZ/00RV2
- ZDZ/00RV24
- ZDZ/00RV24-2-Stroke
- ZDZ/00RV24-4-Stroke
- ZDZ/00RV24-5-Stroke
- ZDZ/00RV24-6-Stroke
- ZDZ/00RV24-7-Stroke
- ZDZ/00RV24-8-Stroke
- ZDZ/00RV24-9-Stroke
- ZDZ/00RV24-10-Stroke
- ZDZ/00RV24-11-Stroke
- ZDZ/00RV24-12-Stroke
- ZDZ/00RV24-13-Stroke
- ZDZ/00RV24-14-Stroke
- ZDZ/00RV24-15-Stroke
- ZDZ/00RV24-16-Stroke
- ZDZ/00RV24-17-Stroke
- ZDZ/00RV24-18-Stroke
- ZDZ/00RV24-19-Stroke
- ZDZ/00RV24-20-Stroke
- ZDZ/00RV24-21-Stroke
- ZDZ/00RV24-22-Stroke
- ZDZ/00RV24-23-Stroke
- ZDZ/00RV24-24-Stroke
- ZDZ/00RV24-25-Stroke
- ZDZ/00RV24-26-Stroke
- ZDZ/00RV24-27-Stroke
- ZDZ/00RV24-28-Stroke
- ZDZ/00RV24-29-Stroke
- ZDZ/00RV24-30-Stroke
- ZDZ/00RV24-31-Stroke
- ZDZ/00RV24-32-Stroke
- ZDZ/00RV24-33-Stroke
- ZDZ/00RV24-34-Stroke
- ZDZ/00RV24-35-Stroke
- ZDZ/00RV24-36-Stroke
- ZDZ/00RV24-37-Stroke
- ZDZ/00RV24-38-Stroke
- ZDZ/00RV24-39-Stroke
- ZDZ/00RV24-40-Stroke
- ZDZ/00RV24-41-Stroke
- ZDZ/00RV24-42-Stroke
- ZDZ/00RV24-43-Stroke
- ZDZ/00RV24-44-Stroke
- ZDZ/00RV24-45-Stroke
- ZDZ/00RV24-46-Stroke
- ZDZ/00RV24-47-Stroke
- ZDZ/00RV24-48-Stroke
- ZDZ/00RV24-49-Stroke
- ZDZ/00RV24-50-Stroke
- ZDZ/00RV24-51-Stroke
- ZDZ/00RV24-52-Stroke
- ZDZ/00RV24-53-Stroke
- ZDZ/00RV24-54-Stroke
- ZDZ/00RV24-55-Stroke
- ZDZ/00RV24-56-Stroke
- ZDZ/00RV24-57-Stroke
- ZDZ/00RV24-58-Stroke
- ZDZ/00RV24-59-Stroke
- ZDZ/00RV24-60-Stroke
- ZDZ/00RV24-61-Stroke
- ZDZ/00RV24-62-Stroke
- ZDZ/00RV24-63-Stroke
- ZDZ/00RV24-64-Stroke
- ZDZ/00RV24-65-Stroke
- ZDZ/00RV24-66-Stroke
- ZDZ/00RV24-67-Stroke
- ZDZ/00RV24-68-Stroke
- ZDZ/00RV24-69-Stroke
- ZDZ/00RV24-70-Stroke
- ZDZ/00RV24-71-Stroke
- ZDZ/00RV24-72-Stroke
- ZDZ/00RV24-73-Stroke
- ZDZ/00RV24-74-Stroke
- ZDZ/00RV24-75-Stroke
- ZDZ/00RV24-76-Stroke
- ZDZ/00RV24-77-Stroke
- ZDZ/00RV24-78-Stroke
- ZDZ/00RV24-79-Stroke
- ZDZ/00RV24-80-Stroke
- ZDZ/00RV24-81-Stroke
- ZDZ/00RV24-82-Stroke
- ZDZ/00RV24-83-Stroke
- ZDZ/00RV24-84-Stroke
- ZDZ/00RV24-85-Stroke
- ZDZ/00RV24-86-Stroke
- ZDZ/00RV24-87-Stroke
- ZDZ/00RV24-88-Stroke
- ZDZ/00RV24-89-Stroke
- ZDZ/00RV24-90-Stroke
- ZDZ/00RV24-91-Stroke
- ZDZ/00RV24-92-Stroke
- ZDZ/00RV24-93-Stroke
- ZDZ/00RV24-94-Stroke
- ZDZ/00RV24-95-Stroke
- ZDZ/00RV24-96-Stroke
- ZDZ/00RV24-97-Stroke
- ZDZ/00RV24-98-Stroke
- ZDZ/00RV24-99-Stroke
- ZDZ/00RV24-100-Stroke



frontviewdms.jpg

ZDZ ENGINES

...cal power for your model airplane. PPG, UH and many more applications.

ZDZ ENGINES

